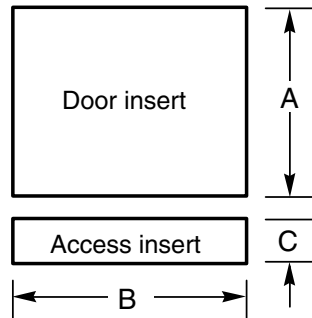
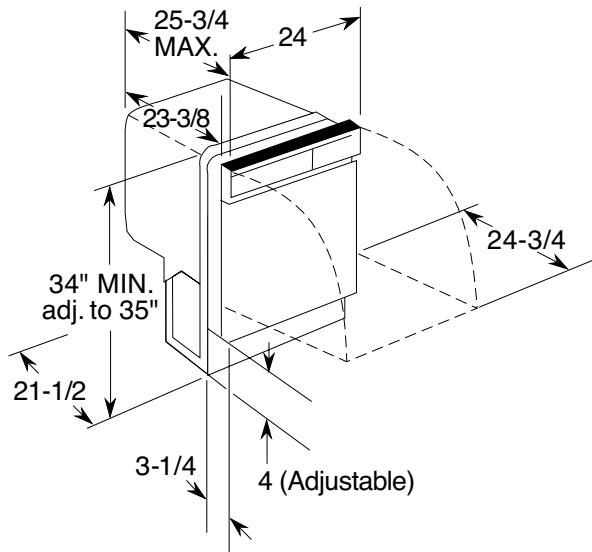


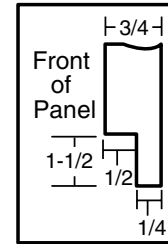
HOTPOINT®

HDA2100V – Hotpoint Built-In Dishwasher

Dishwasher Dimensions (in inches)



Panel Thickness

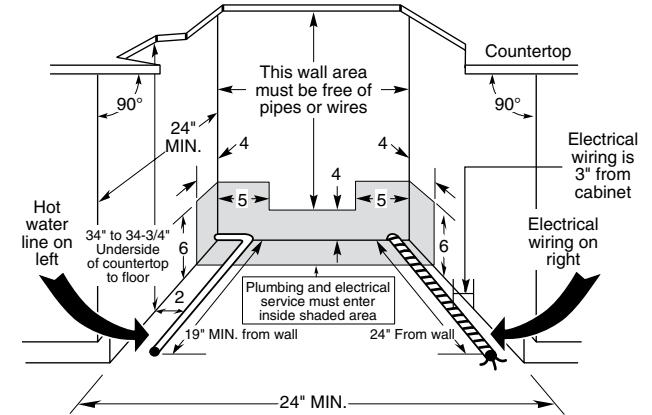


When using GPF325
1/4" custom dishwasher
door and access panel kit.

When using GPF375
3/4" custom dishwasher
door and access panel kit.

Kit	A	B	C	Panel Thickness
GPF325	18-7/8"	23-9/16"	3-11/16"	1/4"
GPF375	18-15/16"	23-5/8"	4-1/4" to 3-3/4"	3/4"

* Bottom of panel must be notched 1-1/2" x 1/2" to clear across panel
 ** Adjustment required to match adjacent cabinet fronts due to leveling leg adjustment, 4" nominal



Note: Dishwasher must not be installed more than 10 feet from sink for proper drainage. All plumbing and electrical work must be in accordance with local codes. Dishwasher includes drain hose and leveling legs.

Installation Information: Before installing, consult installation instructions packed with product for current dimensional data.

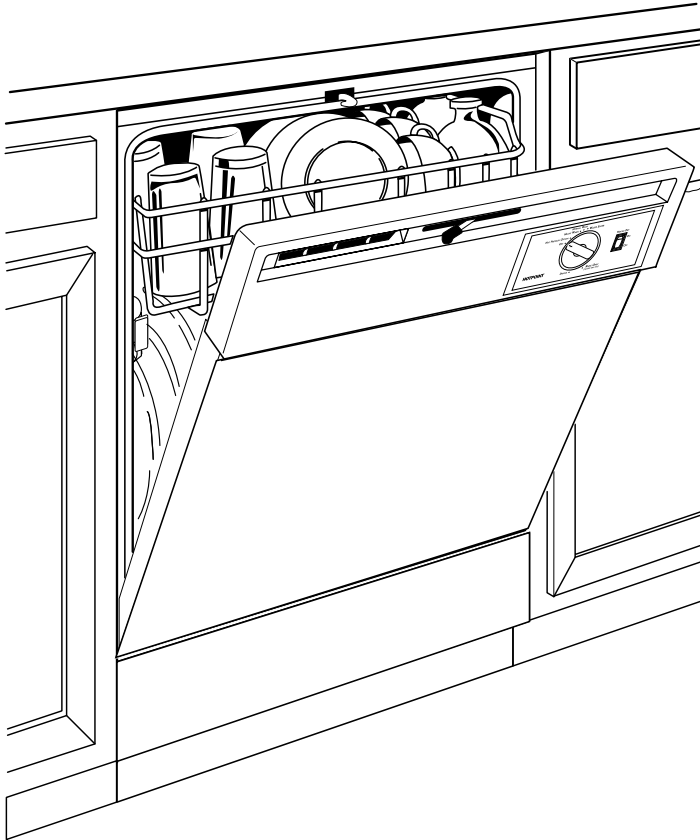
Electrical Rating

Voltage AC.....	120
Hertz.....	60
Total connected load amperage.....	8.6
Calrod® heater watts max.....	500

For use on adequately wired 120-volt, 15-amp circuit having 2-wire service with a separate ground wire. This appliance must be grounded for safe operation.

HOTPOINT®

HDA2100V – Hotpoint Built-In Dishwasher



Features and Benefits

- 4-level PowerScrub™ wash system - Powerful wash cleans dishes thoroughly
- Piranha™ hard food disposer - Grinds food into small particles that are washed away
- HotStart™ option - Provides optimal water temperature for dependable performance
- 64 dBA - motor runs quietly to keep kitchen peaceful
- Water saver cycle - Great for quickly washing loads of everyday dishes or a quick load of glasses
- Heavy wash cycle - great for heavily soiled dishes and cookware
- 5 cycles/2 options - Allows you to select the combination that best cleans your dishes
- Up to 12-place setting capacity racking - Provides flexibility to wash a variety of dishes at once
- Model HDA2100VWW – White on white
- Model HDA2100VBB – Black on black
- Model HDA2100VCC – Bisque on bisque